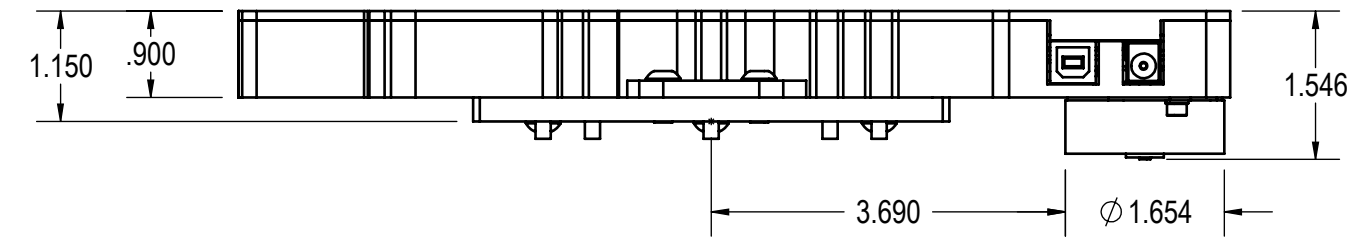
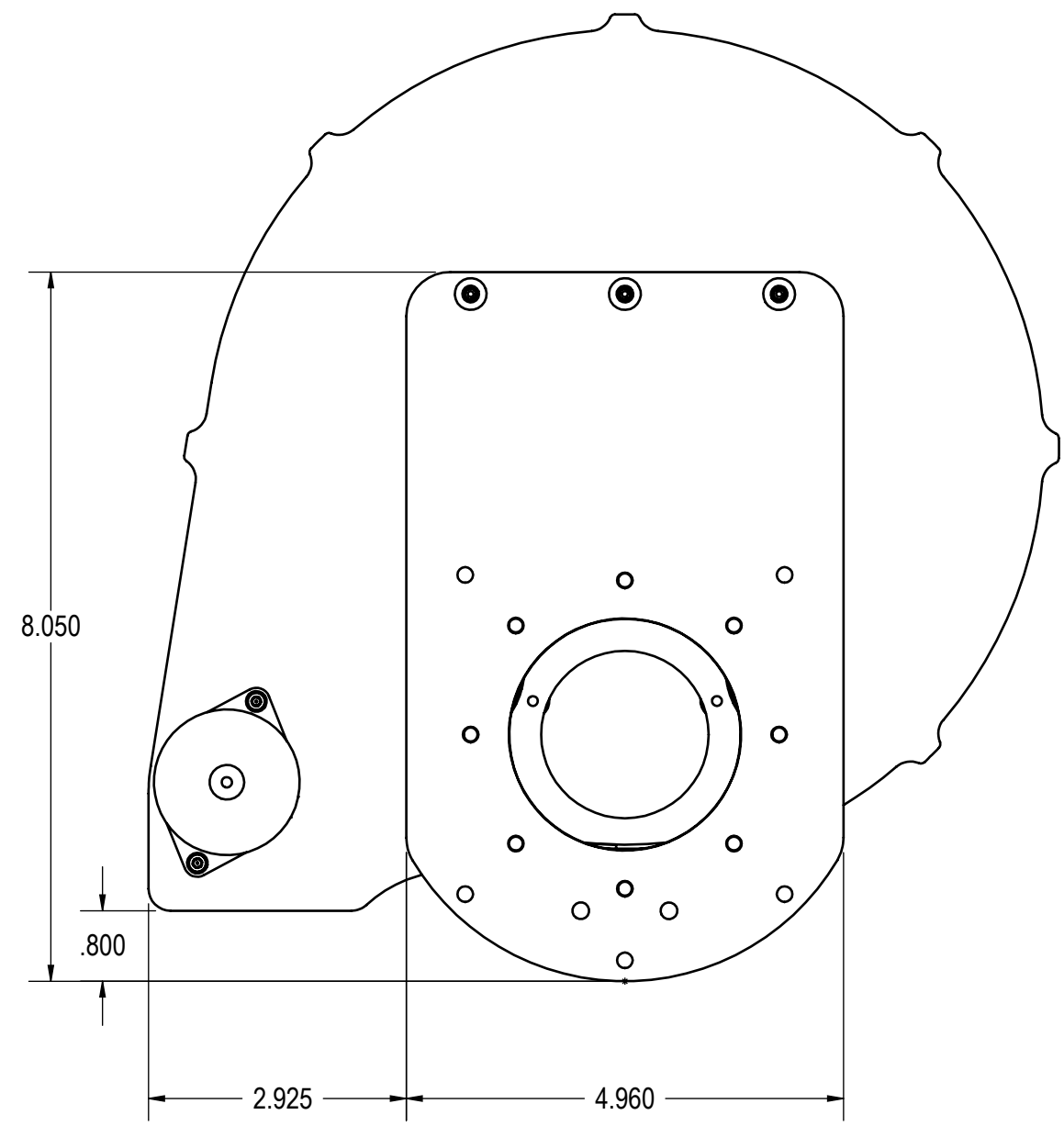
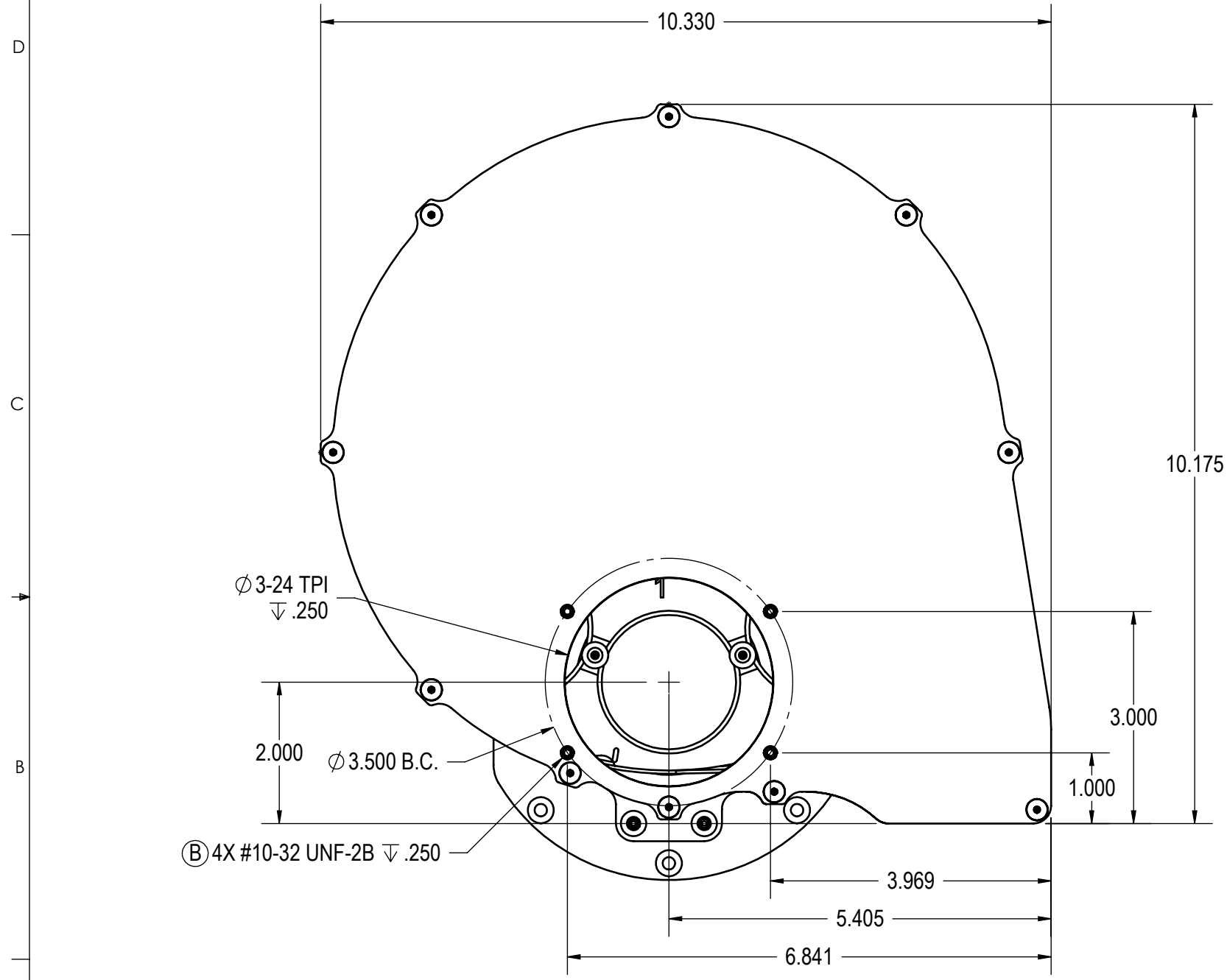


THE INFORMATION CONTAINED IN THIS DRAWING IS THE SOLE PROPERTY OF APOGEE INSTRUMENTS INC. ANY REPRODUCTION IN PART OR AS A WHOLE, WITHOUT THE WRITTEN PERMISSION OF APOGEE INSTRUMENTS IS PROHIBITED.

REVISIONS			
REV.	DESCRIPTION	DATE	APPROVED
A	INCREASED OVERALL HEIGHT TO 1.150"	6/3/2009	GR
B	CHANGED BOLT PATTERN FROM 6X #6-32 TO 4X #10-32	8/17/2009	GR



CAD GENERATED DRAWING. DO NOT MANUALLY UPDATE				
THIRD ANGLE PROJECTION				
NAME	DATE	<p>FILTER WHEEL, ALTA</p>		
DRAWN	RM 102906			
CHECKED	GR 020207			
ENG				
MFG				
UNLESS OTHERWISE SPECIFIED DIMENSIONS ARE IN INCHES TOLERANCES ARE: FRACTIONS DECIMALS ANGLES ± .XX ± .01 ± 1° ± .XXX ± .005		SIZE B	DWG. NO. 400065	REV. B
DO NOT SCALE DRAWING		SCALE 1:2	RELEASE DATE	SHEET 1 OF 1