

# High Performance Cooled CCD Camera System FW50-9R & 7S FILTER WHEELS

Apogee's large format filter wheel supports wheels for seven square 50mm filters or nine round 50mm filters. The filter wheel is controlled via USB 2.0. The filter wheel easily adapts to the Alta D2, D7, and D9 bodies, as well as to Ascent and AP systems (adapter plate included).

**Model AI-FW50-9R**  
9 positions for 50mm  
round filters

**Model AI-FW50-7S**  
7 positions for 50mm  
square filters

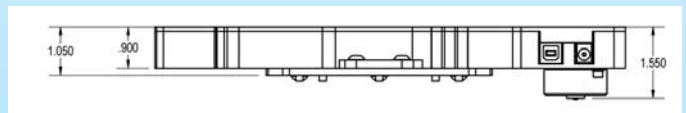
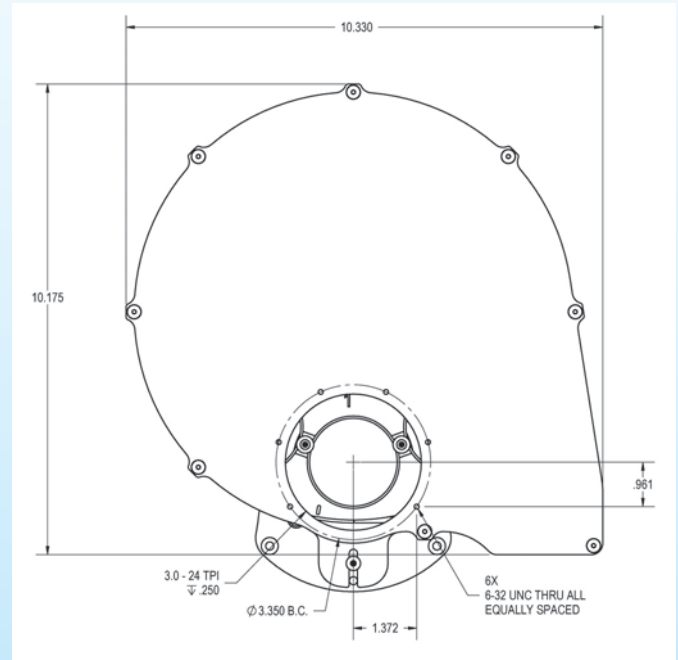


Filter wheel mounted on Alta D9 camera body

Max. filter thickness	5 mm
Weight	3.5 lbs. (1.6 kg) with filters
Thickness	1.0" (2.54 cm) with mounting plate
Camera mount method	Adapter plate attached to any Alta, Ascent, or AP camera
Mechanical mount	3" 24 threads/inch
Power input	12V DC (int'l power supply included)
Interface	USB 2.0



Filter wheel with adapter plate



(All dimensions in inches)

©2007 Apogee Instruments Inc. Alta is a registered trademark of Apogee Instruments Inc. Specifications subject to change without notice.