

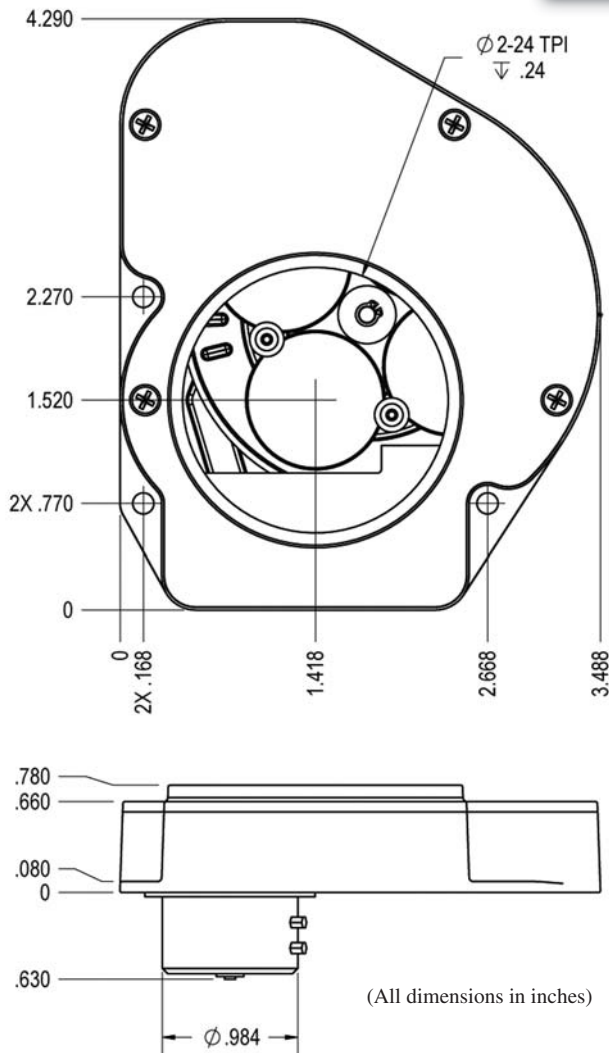
High Performance Cooled CCD Camera System AFW25-4R FILTER WHEEL

The AI-AFW25-4R filter wheel provides a fast compact filtering solution for the Ascent series of imaging systems. The wheel plugs directly into the front of the Ascent camera, using the integrated Ascent Peripheral Interface for power and control. A 2-inch slip fit adapter is available for mounting on telescopes. Coupled with the optional Nikon F-mount lens adapter, the camera and filter wheel can be easily mounted to any F-mount lens, or to any microscope with an Nikon F-mount camera adapter.

Filter Size: 25mm round filters
Positions: 4
Maximum Filter Thickness: 4mm
Power Input: Ascent Peripheral Interface
Weight: 8 oz.
Thickness: 0.660"



AI-AFW25-4R filter wheel on Ascent camera adapted for liquid circulation with telescope slip fit adapter (left) and with optional Nikon F-mount adapter and Nikon 55-100mm zoom lens (right)



AI-AFW25-4R filter wheel (actual size)

©2007 Apogee Instruments Inc. Alta is a registered trademark of Apogee Instruments Inc. Specifications subject to change without notice.